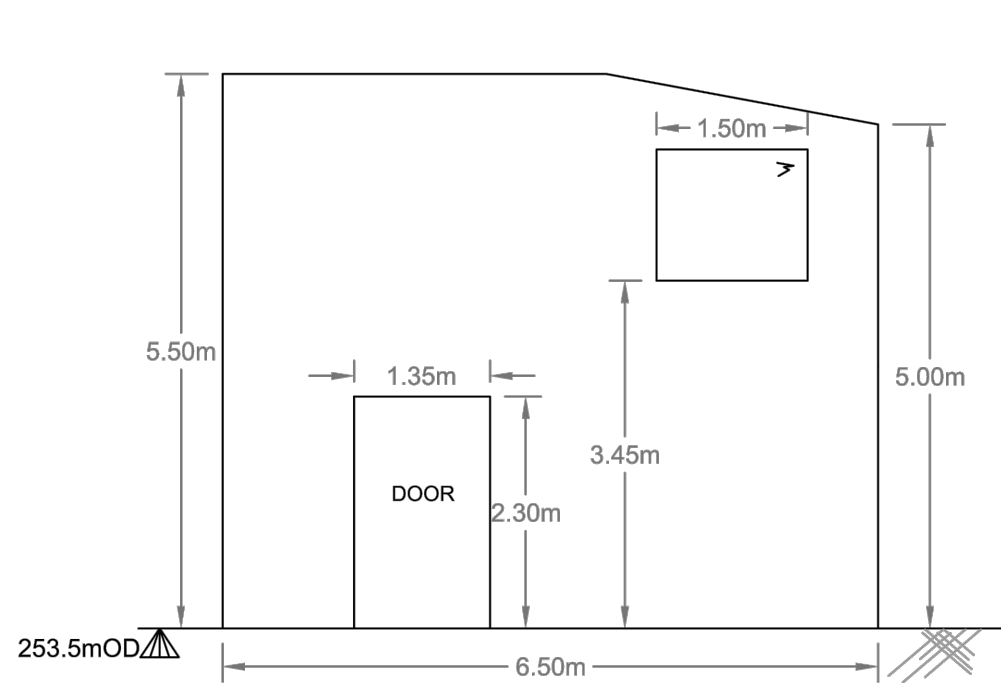


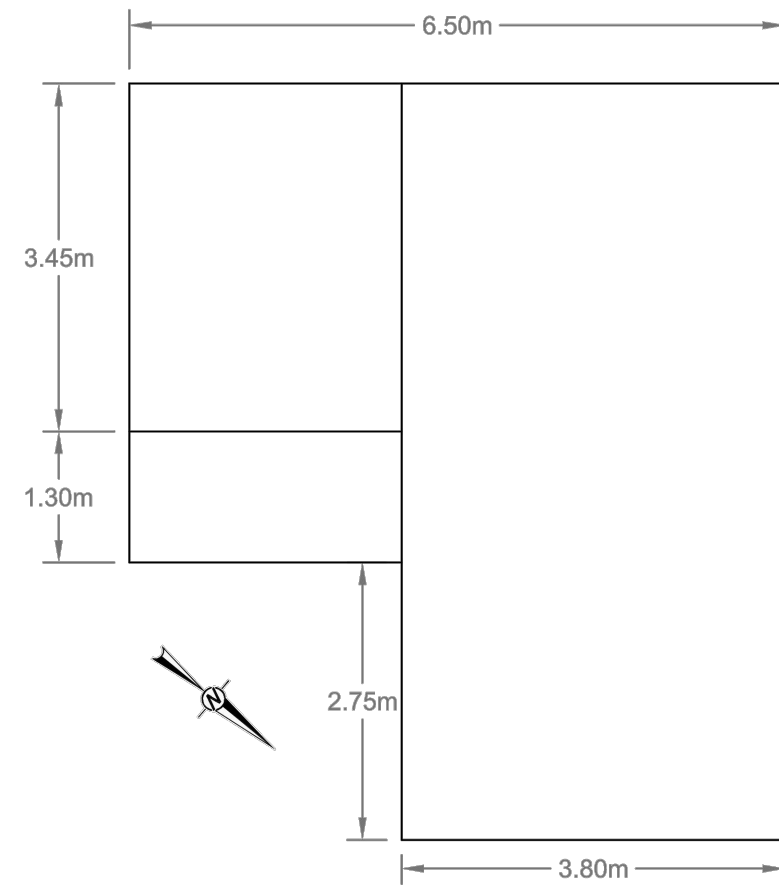
**WEST FACING ELEVATION**

**NORTH FACING ELEVATION**

**EAST FACING SECTION**



**SOUTH FACING ELEVATION**



**CONTROL ROOM PLAN**



CLIENT  
HUDSON BROTHERS LTD

PROJECT  
SUBSTITUTE CONSENT APPLICATION -  
HUDSON BROTHERS LTD

CONSULTANT



YYYY-MM-DD 2024-02-06  
PREPARED KMG  
DESIGN ECS  
REVIEW KMG  
APPROVED KMG

TITLE  
**CONTROL ROOM**

PROJECT No.  
40000328

DRAWING No.  
13

Rev.  
A

SCALE  
1:75 A3